

Specification Status: Released

Electrical Rating

Voltage: 16V MAX
Current: 100A MAX

Insulating Material:
 Cured, Flame Retardant Epoxy Polymer
 meets UL94 V-0 Requirements

Lead Material:
 20 AWG Tin/Lead Plated Copper
 (0.81mm [0.032] nom. diameter)

Marking:

- Raychem Logo and Voltage
- ⊗ 16 — Part Identification
- G1100 — Part Identification
- □ □ □ — Lot Identification (can be on back)

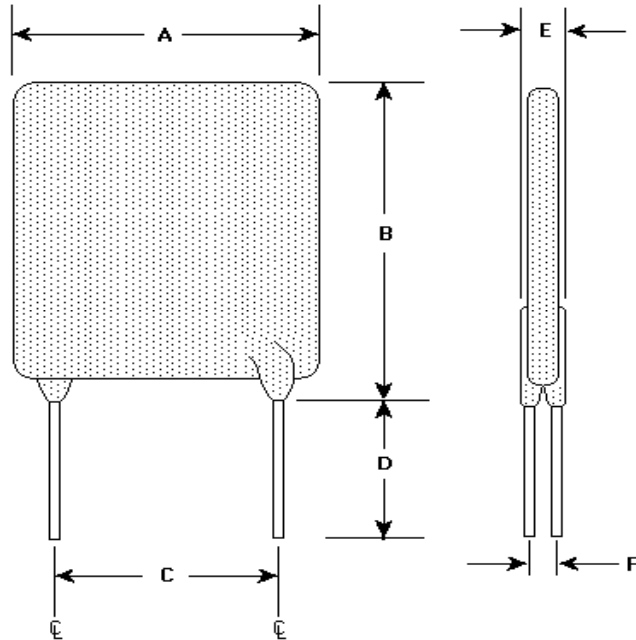


TABLE I. DIMENSIONS:

| | A | | B | | C | | D | | E | | F |
|------|--------|--------|--------|--------|--------|--------|--------|-----|--------|--------|--------|
| mm: | MIN | MAX | MIN | MAX | MIN | MAX | MIN | MAX | MIN | MAX | TYP |
| in*: | (0.65) | (0.69) | (0.83) | (1.02) | (0.17) | (0.23) | (0.30) | -- | (0.08) | (0.12) | (0.05) |

*Rounded off approximation

TABLE II. PERFORMANCE RATINGS:

| I HOLD RATED CURRENT | CURRENT RATINGS | | INITIAL RESISTANCE VALUES | | TIME TO TRIP | R ₁ MAX 1 HR. POST TRIP RESISTANCE STANDARD TRIP | TRIPPED- STATE POWER DISSIPATION |
|----------------------------|-------------------------|--------------------------------|---------------------------------|--------|--------------|--|---|
| | AMPS AT 25°C HOLD | AMPS AT 25°C HOLD TRIP | OHMS AT 25°C MIN MAX | | | | |
| 11.0 | 11.0 | 18.7 | 0.0037 | 0.0060 | 7.0 | 0.0089 | 3.7 |

Agency Recognitions: UL, CSA, TUV.
 Reference Documents: PS300
 Precedence: This specification takes precedence over documents referenced herein.
 Effectivity: Reference documents shall be the issue in effect on the date of invitation for bid.
 CAUTION: Operation beyond the rated voltage or current may result in rupture, electrical arcing or flame.